



PowerSafe® EA-M

Switchgear, Telecommunications and Utility

Battery Range Summary

Engineered to meet industrial requirements, the industry leading features inherent to the PowerSafe® EA-M battery make it one of the best in the market. The EA-M battery features antimony plates which demonstrate maximized performance in cycling applications, along with extra thick positive grids make the EA-M series of batteries one of the most rugged in the market. The jar design allows for more free electrolyte enabling the EA-M battery to be offered with 100% initial capacity.

Standard features like thick positive plates ensure excellent long discharges while the large double hole post provides a stronger intercell connection, assuring maximum electrical integrity. The EA-M series includes a Slide-Lock™ post seal which allows for natural plate growth over the life of the battery without compromising the seal between the post and the cover. The innovative tongue-and-groove jar-to-cover seal provides reliability with a robust airtight seal.

Completing the design are copper post inserts which enhance high rate performance making the EA-M battery a leader in the industry.



Features & Benefits

- Capacity range 215 - 850Ah
- Lead-antimony alloy
- Volume of electrolyte optimizes performance
- Standard Styrene Acrylonitrile (SAN) jar with flame retardant UL94 V-0 PVC cover; PC flame retardant jar and cover optional
- Lead-antimony plates maximize performance in cycling applications
- 20 year life expectancy in float service at 77°F (25°C) ambient temperature

Visit us at www.enersys.com



RESERVE
POWER

Publication No: US-EAM-RS-AA May 2016

Construction

- 0.34" thick positive plates provide excellent long discharge rates and long life
- Negative plate design enhances high rate performance
- Separator – microporous rubber with “Vitrex” glass fiber retainers
- Standard jar material Styrene Acrylonitrile (SAN) with a flame retardant PVC cover. PC jar and cover are available as flame retardant options.
- Electrolyte – dilute sulfuric acid with specific gravity of 1.215 (1.250 available upon request)
- Copper inserted posts
- Slide-Lock™ post seal design
- Flame arrestors – included for increased operational safety

Installation & Operation

- Tin plated copper inter-cell connectors (standard); lead plated optional
- Dual posts for high current carrying capability (EA-15M and above)
- Excellent long discharge and complex duty cycle capability for switchgear applications
- 20 year life expectancy in float service at 77°F (25°C)
- Post design features low resistance copper inserts for high rate performance
- Operating temperature: 32°F (0°C) to 104°F (40°C)
Recommended temperature: 68°F (20°C) to 86°F (30°C)

Standards

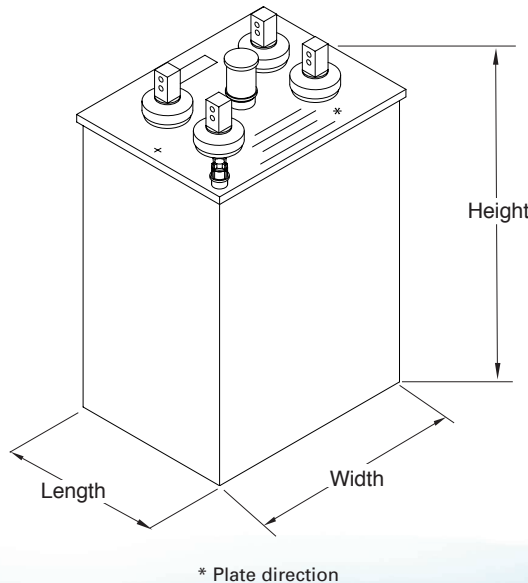
- The management systems governing the manufacture of this product are ISO 9001:2008 and ISO 14001:2004 certified

General Specifications

Cell Type	Nominal Ah Capacity*	Nominal Dimensions						Weight - Volumes					
		Length**		Width		Height		Unpacked		Electrolyte only 1.215 S.G.			
		in	mm	in	mm	in	mm	lbs	kg	lbs	kg	gal	liters
EA-5M	215	5.1	130	11.0	279	18.7	475	60.0	27.2	20.9	9.5	2.1	7.8
EA-7M	290	5.1	130	11.0	279	18.7	475	71.9	32.7	18.9	8.6	1.9	7.1
EA-9M	365	5.1	130	11.0	279	18.7	475	82.7	37.6	16.9	7.7	1.7	6.4
EA-11M	470	6.6	168	11.0	279	18.7	475	103.8	47.2	24.0	10.9	2.4	9.0
EA-13M	525	6.6	168	11.0	279	18.7	475	113.7	51.7	20.0	9.1	2.0	7.5
EA-15M	620	8.1	206	11.0	279	18.7	475	139.7	63.5	29.0	13.2	2.9	10.8
EA-19M	795	10.1	257	11.0	279	18.7	475	175.6	79.8	37.0	16.8	3.7	13.8
EA-21M	850	10.1	257	11.0	279	18.7	475	186.6	84.8	35.9	16.3	3.6	13.5

* Nominal Ah capacity is based on an 8 hour rate to 1.75 volts per cell @77°F (25°C).

** 0.25" must be added between cells for spacing purposes when calculating total battery length.



* Plate direction