



**PowerSafe**<sup>®</sup>  
GC-M  
Switchgear, UPS and Utility

# Performance Data

### Features and Benefits

- Capacity range 875 - 3550Ah
- Lead-calcium alloy
- Electrolyte reserve reduces watering requirements
- Standard Styrene Acrylonitrile (SAN) jar with flame retardant PVC UL94 V-0 cover; flame retardant PC jar and cover available
- Thick positive grids maximize performance in long discharge applications
- 20 year life expectancy in float service at 77°F(25°C) ambient temperature

### Construction

- 0.30" thick positive grids provide excellent long discharge rates and long life
- Negative plate configuration enhances high rate performance
- Separator – microporous rubber with "Vitrex" glass fiber retainers
- Electrolyte – dilute sulfuric acid with specific gravity of 1.215
- Slide-Lock™ post seal design
- Flame arrestors – included for increased operational safety

### Installation & Operation

- Space efficient footprint
- Designed to be rack mounted with easy access to posts
- Excellent long discharge and complex duty cycle capability for switchgear applications
- Lead-calcium design reduces maintenance (less watering) over traditional lead antimony batteries
- Operating temperature: 32°F (0°C) to 104°F (40°C)  
Recommended temperature: 68°F (20°C) to 86°F (30°C)

### Standards

- The management systems governing the manufacture of this product are ISO 9001 and ISO 14001 certified

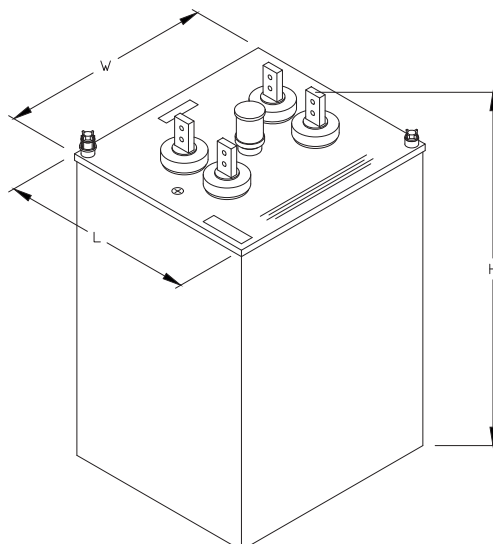
### General Specifications

Cell Type <sup>1</sup>	Nominal Voltage*	Nominal Dimensions						Weight - Volumes							
		Length**		Width		Height		Unpacked		Domestic Packed		Electrolyte only/1.215 S.G.			
		in	mm	in	mm	in	mm	lbs	kg	lbs	kg	Volume		Weight	
												gal	liters	lbs	kg
<b>2GC-09M</b>	875	12.4	315	15.1	384	27.0	688	375	170.5	395	179.5	13.6	51.5	138	62.7
<b>2GC-11M</b>	1020	12.4	315	15.1	384	27.0	688	410	186.4	430	195.5	12.7	48.1	129	58.5
<b>2GC-13M</b>	1140	12.4	315	15.1	384	27.0	688	445	202.3	465	211.4	11.9	45.0	121	54.9
<b>2GC-15M</b>	1225	12.4	315	15.1	384	27.0	688	485	220.5	505	229.5	11.1	42.0	113	51.2
<b>2GC-17M</b>	1540	16.6	422	15.1	384	27.0	688	585	265.9	607	275.9	16.3	61.7	166	75.1
<b>2GC-19M</b>	1630	16.6	422	15.1	384	27.0	688	620	281.8	642	291.8	15.5	58.7	158	71.5
<b>2GC-21M</b>	1695	16.6	422	15.1	384	27.0	688	655	297.7	677	307.7	14.7	55.6	149	67.8
<b>2GC-23M</b>	1745	16.6	422	15.1	384	27.0	688	695	315.9	717	325.9	13.9	52.6	141	64.1
<b>GC-25M</b>	2260	12.4	315	15.1	384	27.0	688	440	200.0	460	209.1	12.3	46.4	125	56.5
<b>GC-27M</b>	2360	12.4	315	15.1	384	27.0	688	460	209.1	480	218.2	11.9	45.0	121	54.9
<b>GC-29M</b>	2450	12.4	315	15.1	384	27.0	688	480	218.2	500	227.3	11.5	43.3	116	52.8
<b>GC-31M</b>	2515	12.4	315	15.1	384	27.0	688	495	225.0	515	234.1	11.1	42.0	113	51.2
<b>GC-33M</b>	2560	12.4	315	15.1	384	27.0	688	515	234.1	535	243.2	10.7	40.3	108	49.1
<b>GC-35M</b>	3085	16.6	422	15.1	384	27.0	688	610	277.3	632	287.3	16.0	60.4	162	73.5
<b>GC-37M</b>	3200	16.6	422	15.1	384	27.0	688	630	286.4	652	296.4	15.6	59.1	159	71.9
<b>GC-39M</b>	3300	16.6	422	15.1	384	27.0	688	650	295.5	672	305.5	15.2	57.3	154	69.8
<b>GC-41M</b>	3385	16.6	422	15.1	384	27.0	688	665	302.3	687	312.3	14.8	56.0	150	68.2
<b>GC-43M</b>	3470	16.6	422	15.1	384	27.0	688	685	311.4	707	321.4	14.4	54.3	146	66.2
<b>GC-45M</b>	3550	16.6	422	15.1	384	27.0	688	705	320.5	727	330.5	14.0	52.8	142	64.3

<sup>1</sup> Prefix number indicates cells per unit. Suffix number indicates total plates per cell.

\*Nominal Ah capacity is based on an 8 hour rate to 1.75 volts per cell @ 77°F (25°C)

\*\* 0.25" must be added between units for spacing purposes when calculating total battery length.



**Constant Current**

**Discharge Rates in Amperes\* to 1.75Vpc at 25°C (77°F)\*\***

Cell Type	NOM Ah Cap. <sup>1</sup>	Minutes			Hours									
		1	15	30	1	1.5	2	3	4	5	8	12	24	72
2GC-09M	875	717	670	550	410	331	280	216	178	153	109	79	47	20
2GC-11M	1020	877	809	666	496	399	335	258	211	180	128	92	53	22
2GC-13M	1140	1029	938	775	576	461	386	294	240	204	142	101	58	23
2GC-15M	1225	1172	1057	876	650	517	431	326	264	223	153	108	60	23
2GC-17M	1540	1404	1307	1072	788	628	524	398	324	275	192	137	78	31
2GC-19M	1630	1564	1432	1173	860	681	566	428	347	293	204	144	81	31
2GC-21M	1695	1721	1549	1266	924	729	604	454	366	308	212	149	82	31
2GC-23M	1745	1877	1659	1355	984	773	638	476	382	321	218	153	82	30
GC-25M	2260	2103	1872	1536	1137	908	760	580	473	403	282	201	116	46
GC-27M	2360	2231	1989	1634	1208	963	805	612	498	422	295	210	119	46
GC-29M	2450	2353	2101	1727	1275	1014	846	641	520	440	306	217	121	46
GC-31M	2515	2466	2207	1815	1339	1062	884	667	539	455	314	222	122	46
GC-33M	2560	2575	2308	1899	1399	1107	920	691	556	468	320	226	122	44
GC-35M	3085	2774	2490	2054	1524	1217	1020	781	640	545	386	277	160	65
GC-37M	3200	2875	2598	2148	1598	1277	1070	817	668	568	400	286	163	65
GC-39M	3300	2970	2699	2237	1668	1334	1116	851	693	589	413	294	166	65
GC-41M	3385	3064	2797	2325	1738	1390	1162	883	718	608	423	301	167	64
GC-43M	3470	3150	2893	2411	1806	1445	1208	916	742	627	434	307	169	63
GC-45M	3550	3245	2998	2505	1880	1504	1255	948	766	646	444	313	169	61

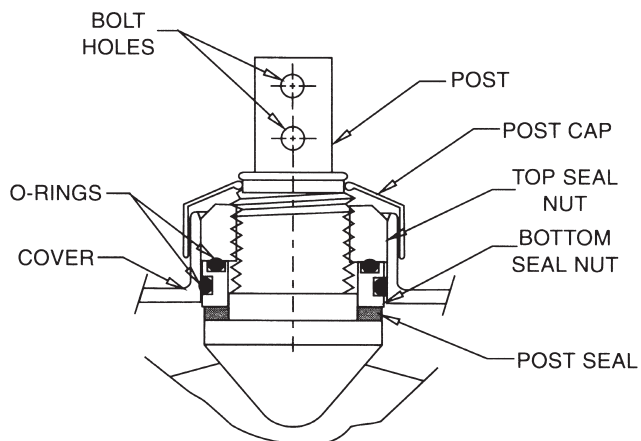
\*Ampere values listed represent 100% of the cell's initial capacity.  
 \*\*1.215 S.G. electrolyte at 77°F (25°C) includes intercell connector drop.  
<sup>1</sup>Nominal Amp-hour capacity at the 8 hour rate.  
 All data subject to change without notice.

**Discharge Rates in Amperes\* to 1.81Vpc at 25°C (77°F)\*\***

Cell Type	NOM Ah Cap. <sup>1</sup>	Minutes			Hours									
		1	15	30	1	1.5	2	3	4	5	8	12	24	72
2GC-09M	875	507	507	453	354	293	252	199	167	144	104	77	46	19
2GC-11M	1020	632	631	552	429	354	303	237	197	170	121	88	52	21
2GC-13M	1140	748	748	645	500	410	349	271	224	191	135	98	56	22
2GC-15M	1225	859	859	732	565	461	390	300	246	209	146	104	58	22
2GC-17M	1540	1025	1024	892	683	558	473	366	301	257	181	131	76	30
2GC-19M	1630	1141	1141	977	745	606	511	394	323	275	192	138	79	31
2GC-21M	1695	1254	1251	1055	802	649	546	418	340	288	200	143	80	30
2GC-23M	1745	1362	1342	1129	854	688	577	438	355	300	206	147	80	29
GC-25M	2260	1542	1525	1290	995	814	691	538	444	380	269	195	113	46
GC-27M	2360	1629	1616	1368	1053	860	729	565	465	398	280	202	116	46
GC-29M	2450	1710	1701	1440	1107	903	764	590	484	413	290	208	118	46
GC-31M	2515	1785	1782	1508	1157	943	796	612	500	426	297	212	118	45
GC-33M	2560	1852	1851	1571	1204	978	824	632	514	436	302	215	118	43
GC-35M	3085	1921	1920	1686	1300	1062	906	709	588	506	362	265	156	64
GC-37M	3200	2021	2020	1764	1364	1115	950	742	614	527	375	273	159	64
GC-39M	3300	2115	2114	1838	1424	1165	993	772	638	546	386	280	161	63
GC-41M	3385	2201	2200	1912	1484	1215	1034	802	660	564	396	285	162	62
GC-43M	3470	2281	2281	1983	1542	1265	1075	832	683	582	405	291	162	61
GC-45M	3550	2368	2368	2060	1605	1317	1118	862	706	599	414	295	161	59

\*Ampere values listed represent 100% of the cell's initial capacity.  
 \*\*1.215 S.G. electrolyte at 77°F (25°C) includes intercell connector drop.  
<sup>1</sup>Nominal Amp-hour capacity at the 8 hour rate.  
 All data subject to change without notice.

## Slide-Lock™ Post Seal



### Catalog Rint and Isc Catalog Values

Cell Type	*Resistance	Isc
	Milliohms	Amps
GC-09M	0.275	7270
GC-11M	0.24	8330
GC-13M	0.213	9380
GC-15M	0.193	10370
GC-17M	0.148	13560
GC-19M	0.138	14520
GC-21M	0.128	15630
GC-23M	0.118	16920
GC-25M	0.107	18750
GC-27M	0.101	19850
GC-29M	0.095	21050
GC-31M	0.089	22390
GC-33M	0.085	23530
GC-35M	0.076	26150
GC-37M	0.074	27070
GC-39M	0.072	27740
GC-41M	0.071	28370
GC-43M	0.069	28970
GC-45M	0.067	29930

\* Resistance values are for reference only not intended to represent an ohmic value or base line measurement.



**EnerSys World Headquarters**  
 2366 Bernville Road  
 Reading, PA 19605, USA  
 Tel: +1-610-208-1991 /  
 +1-800-538-3627

**EnerSys EMEA**  
 EH Europe GmbH  
 Baarerstrasse 18  
 6300 Zug  
 Switzerland

**EnerSys Asia**  
 152 Beach Road  
 Gateway East Building #11-08  
 Singapore 189721  
 Tel: +65 6416 4800

Contact: