

Power

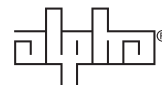
PWE-SG Series

Pole Mount Battery Enclosure



- Expands existing network enclosures battery capacity for VoIP services
- Accommodates a wide range of battery configurations
- Conduit Kit interface to existing enclosure
- Optional battery slide tray, heater mat, AlphaGuard™ battery charge management
- All aluminum welded construction and durable powder coat finish provides superior corrosion resistance

Alpha extends its pole mount enclosure line with the PWE-SG, standalone generic pole mount battery enclosure. The PWE-SG supports numerous battery configurations and expands battery capacity of existing cable UPS systems, regardless of the original equipment manufacturer. This enclosure can be collocated above, below or on the opposite side of the pole as existing standby power supply enclosures, supporting greater runtimes for VoIP services. The PWE-SG has several options including battery drawers, 120VAC or 240VAC battery heaters, AlphaGuard charge management system and a complement of battery cable kits.



PWE-SG Series

Specifications

Dimensions (in):	30.25W x 16.25H x 17D
(mm):	768W x 413H x 432D
Weight (lb/kg):	31/ 14
(lb/kg):	44/20 (with standard slide tray)
	47/21 (with heavy duty slide tray)

Standard Features

Supports Multiple Battery Configurations

- One or two 36VDC strings of AlphaCell Front Terminal* Batteries
 - One 48VDC string of AlphaCell Front Terminal Batteries
 - One 36VDC or 48VDC string of AlphaCell Batteries including the 85, 135, 165, 180, 210 and 300 models
- * Front terminal batteries are intended to be used without slide trays

Removable lift-off lid

Stainless Steel Spring Lock and Latch

All Aluminum Construction

Gray Powder Coat Finish (other colors available)

Enclosure Options

Conduit Kit, including two swivel fittings and 48-inches of 1-inch flexible conduit

Pole Mount Bracket Kit, includes two brackets (Wood Poles)

Pole Mount Bracket Kit, includes two brackets (Concrete/Steel Poles)

Two Point, Eight Inch Offset Mounting Bracket, wood pole only

Battery Heater Mat 120VAC with 8-foot cord and plug kit

Battery Heater Mat 240VAC with 8-foot cord and plug kit

Battery Retaining Bar**

Battery Slide Tray, supports up to 300lbs of batteries**

Battery Slide Tray, Heavy Duty supports up to 420lbs of batteries**

Tamper Switch normally open contact, includes jumper board and cord to communications module, mounting bracket, switch and extension cable.

Tamper Switch normally closed contact, includes jumper board and cord to communications module, mounting bracket, switch and extension cable.

Door Prop Rod**

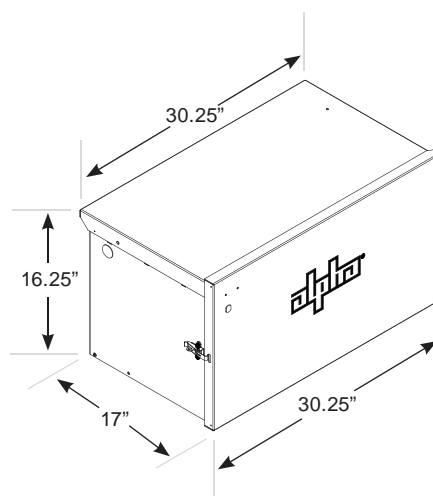
Gem Style Lock**

Battery Cable Kits Supporting Multiple Battery Configurations

** Factory installed options



PWE-SG Shown below PWE-3 three Battery enclosure



PWE-SG Dimensions

For more information visit www.alpha.com

Alpha Technologies

United States
Canada

Bellingham, Washington Tel: 360 647 2360 Fax: 360 671 4936
Burnaby, British Columbia Tel: 604 430 1476 Fax: 604 430 8908

049-092-33-001 (3/06)

Alpha Technologies reserves the right to make changes to the products and information contained in this document without notice.

Copyright © 2006 Alpha Technologies. All Rights Reserved. Alpha® is a registered trademark of Alpha Technologies. member of The Alpha Group™ is a trademark of Alpha Technologies.